

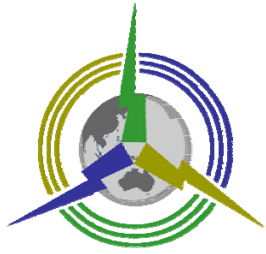
# AutoTransformer REF

Ph-E

Ph-Ph

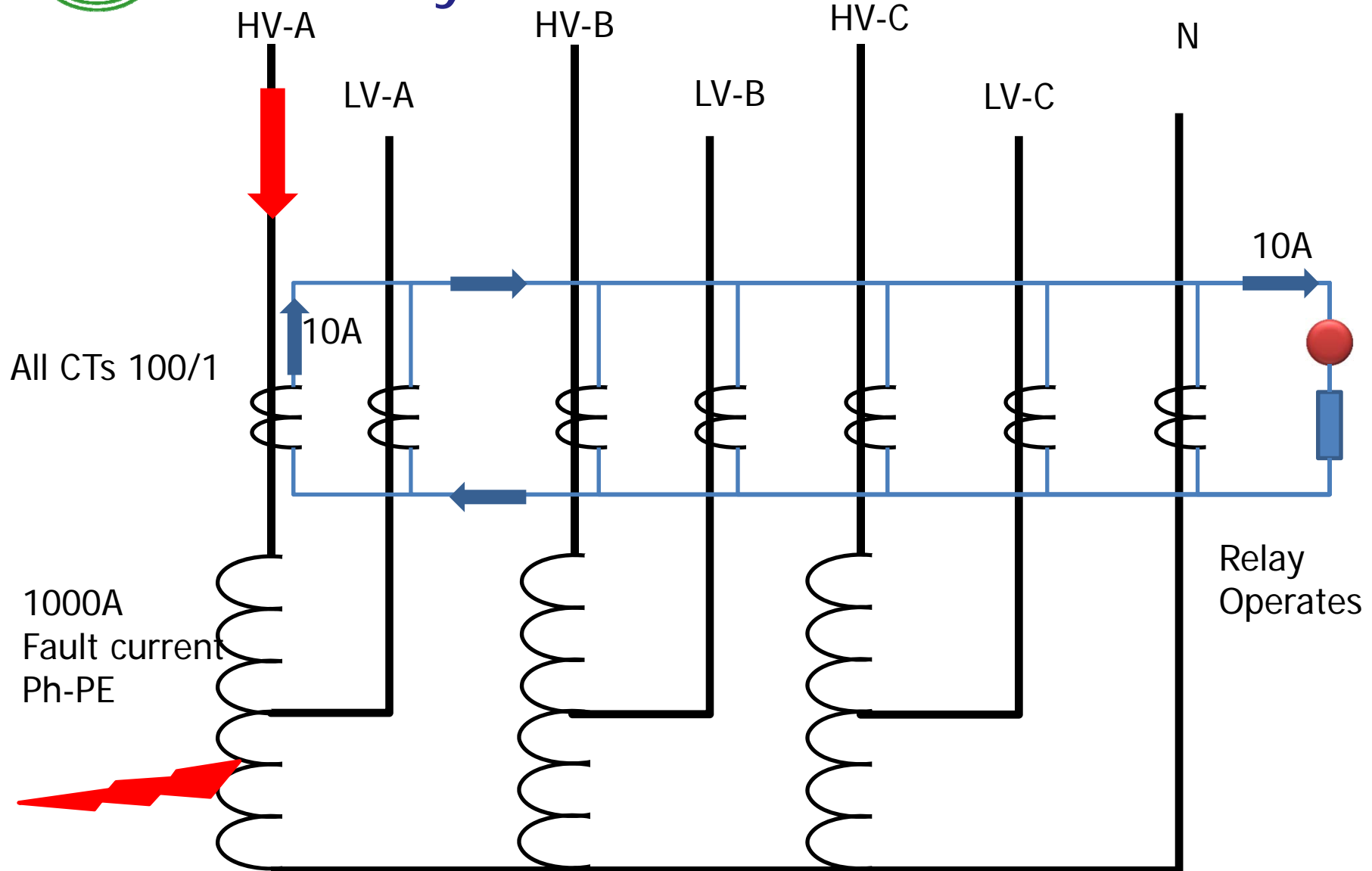
E-mail: [rgh@rodhughesconsulting.com](mailto:rgh@rodhughesconsulting.com)  
Direct: +61 8 7127 6357  
Mobile: +61 419 845 253  
Web: [www.rodhughesconsulting.com](http://www.rodhughesconsulting.com)  
Skype: rodhughes-consult  
Address: PO Box 757  
Blackwood  
SA 5051  
Australia

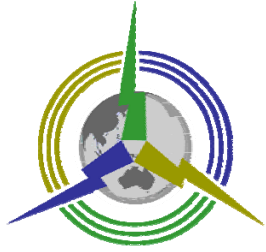




# Ph-E Fault

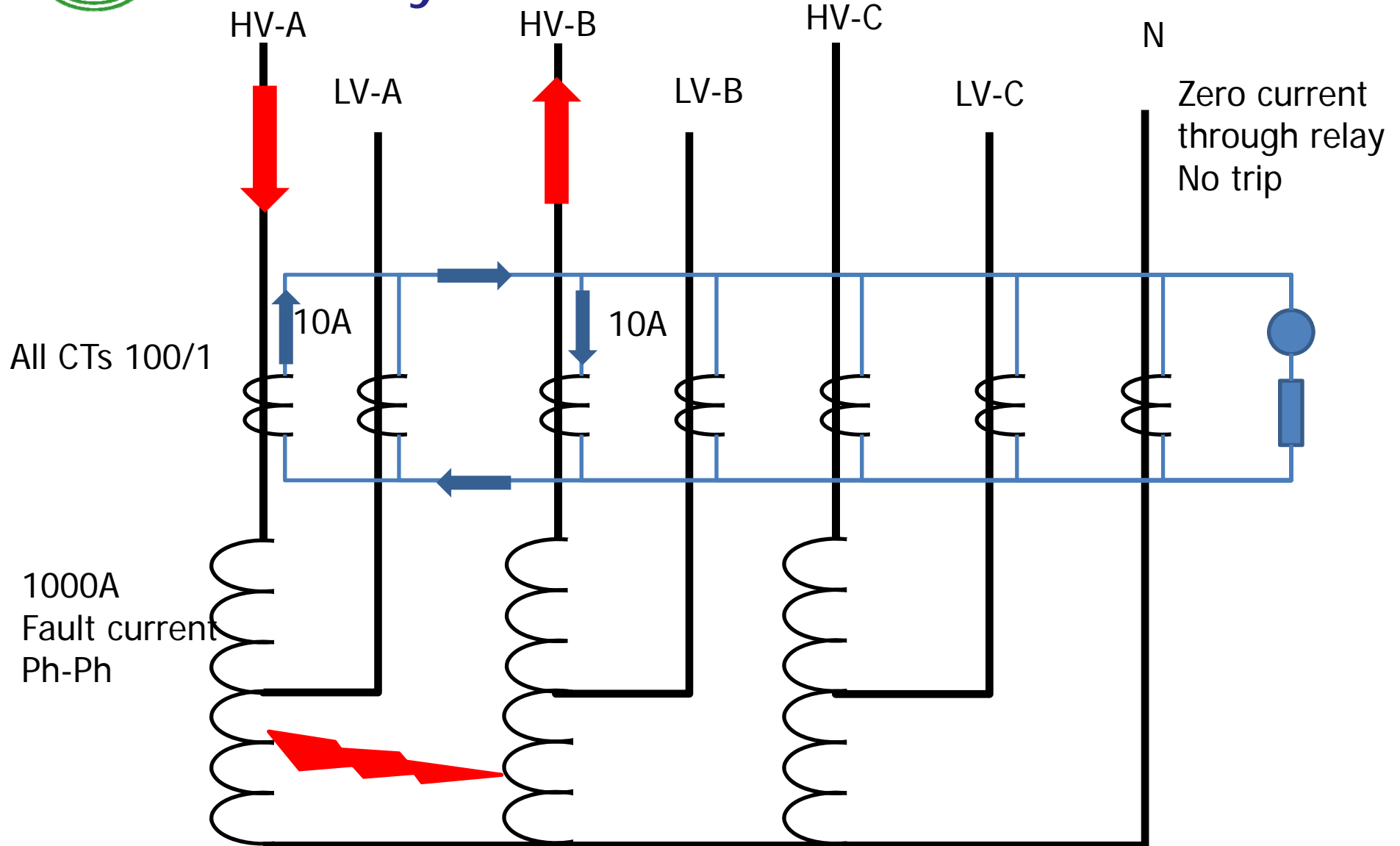
## Only 1 CT on common neutral

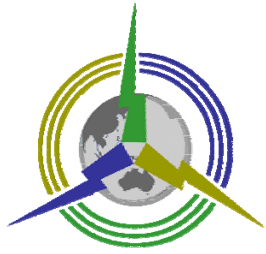




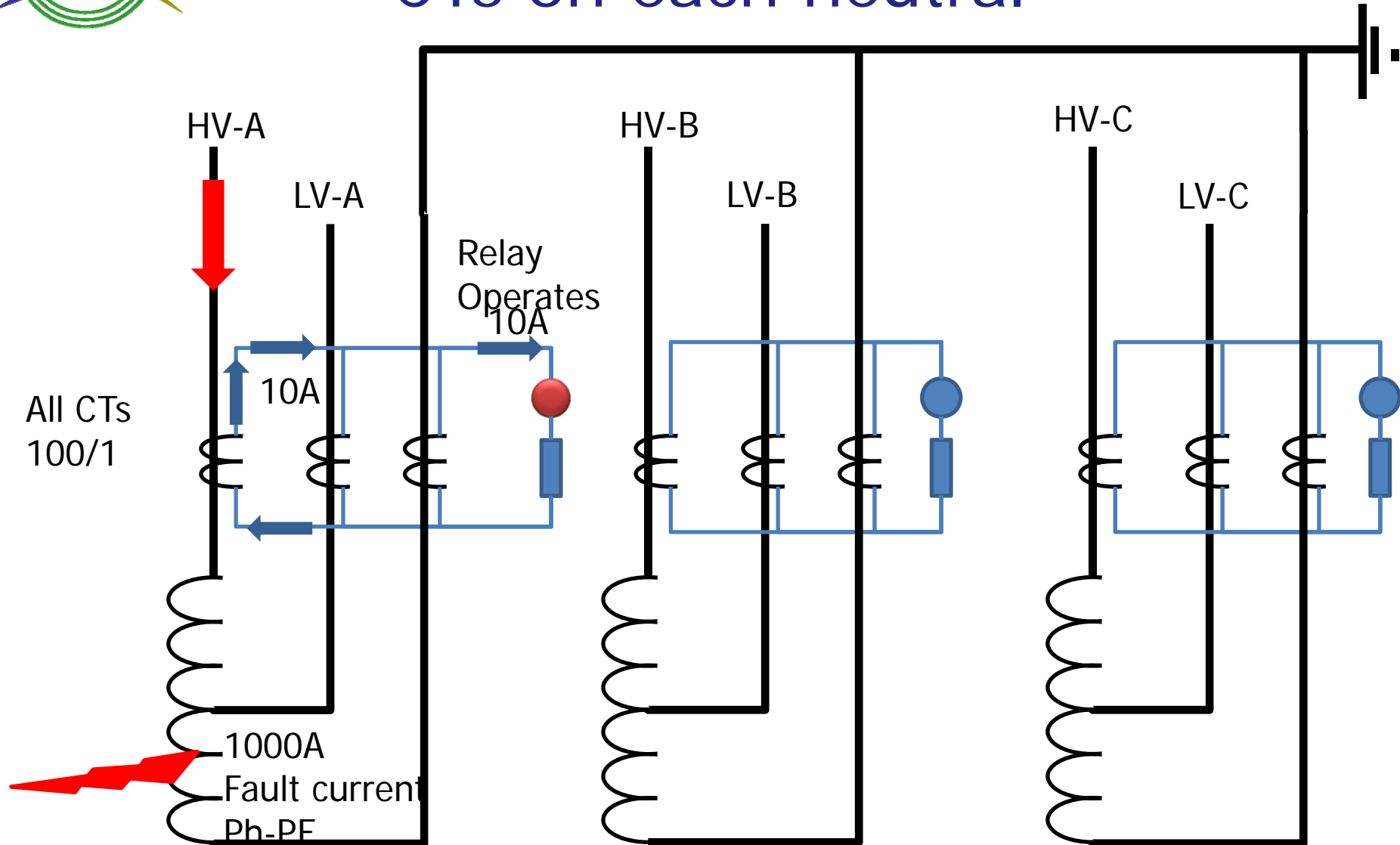
# Ph-Ph Fault

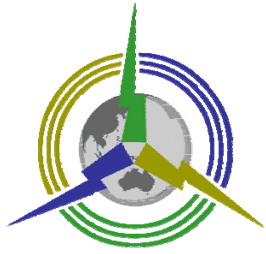
## Only 1 CT on common neutral



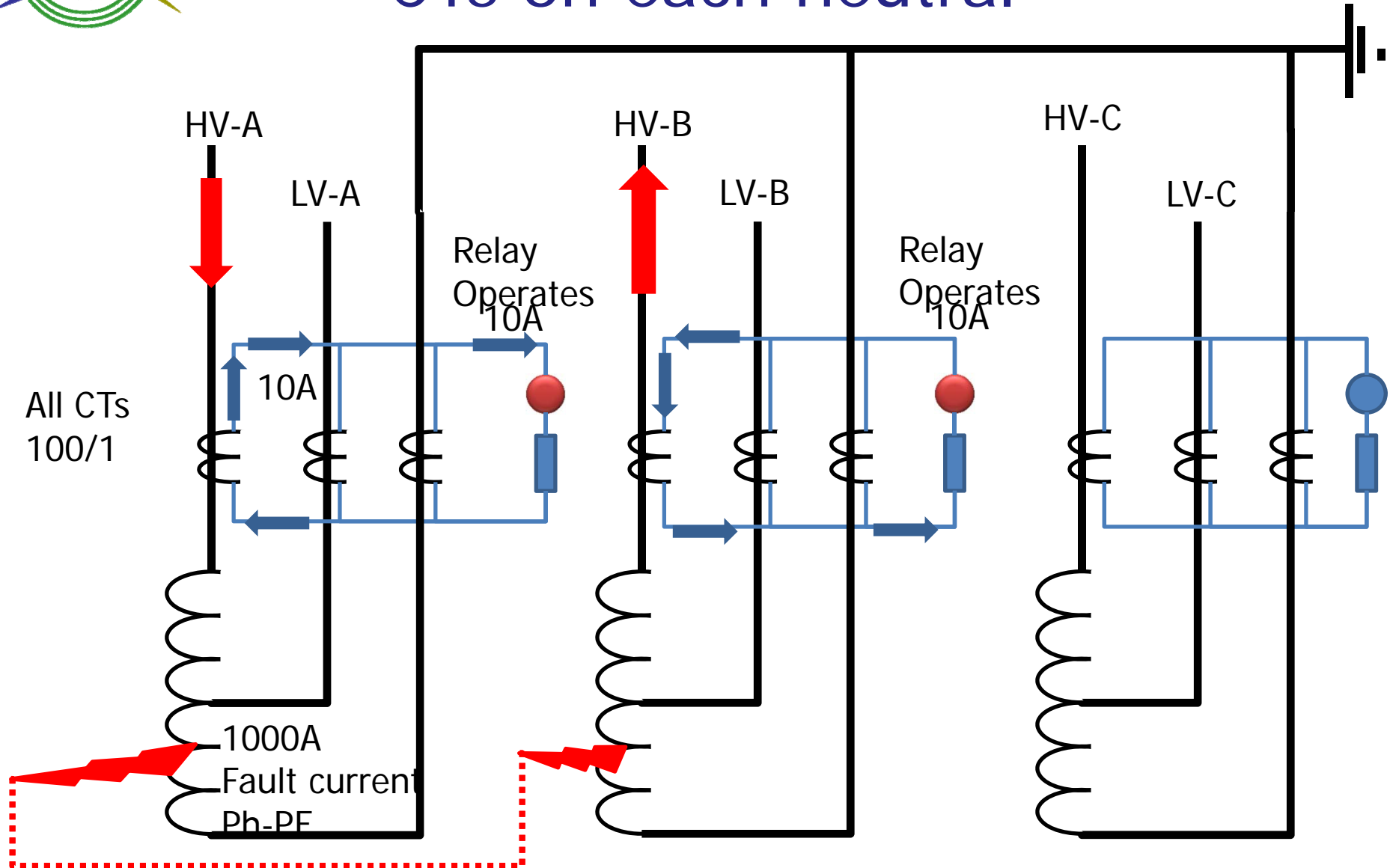


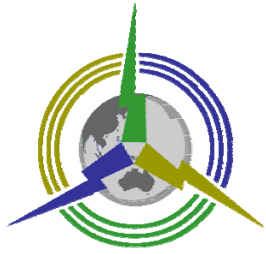
# Ph-E Fault CTs on each neutral



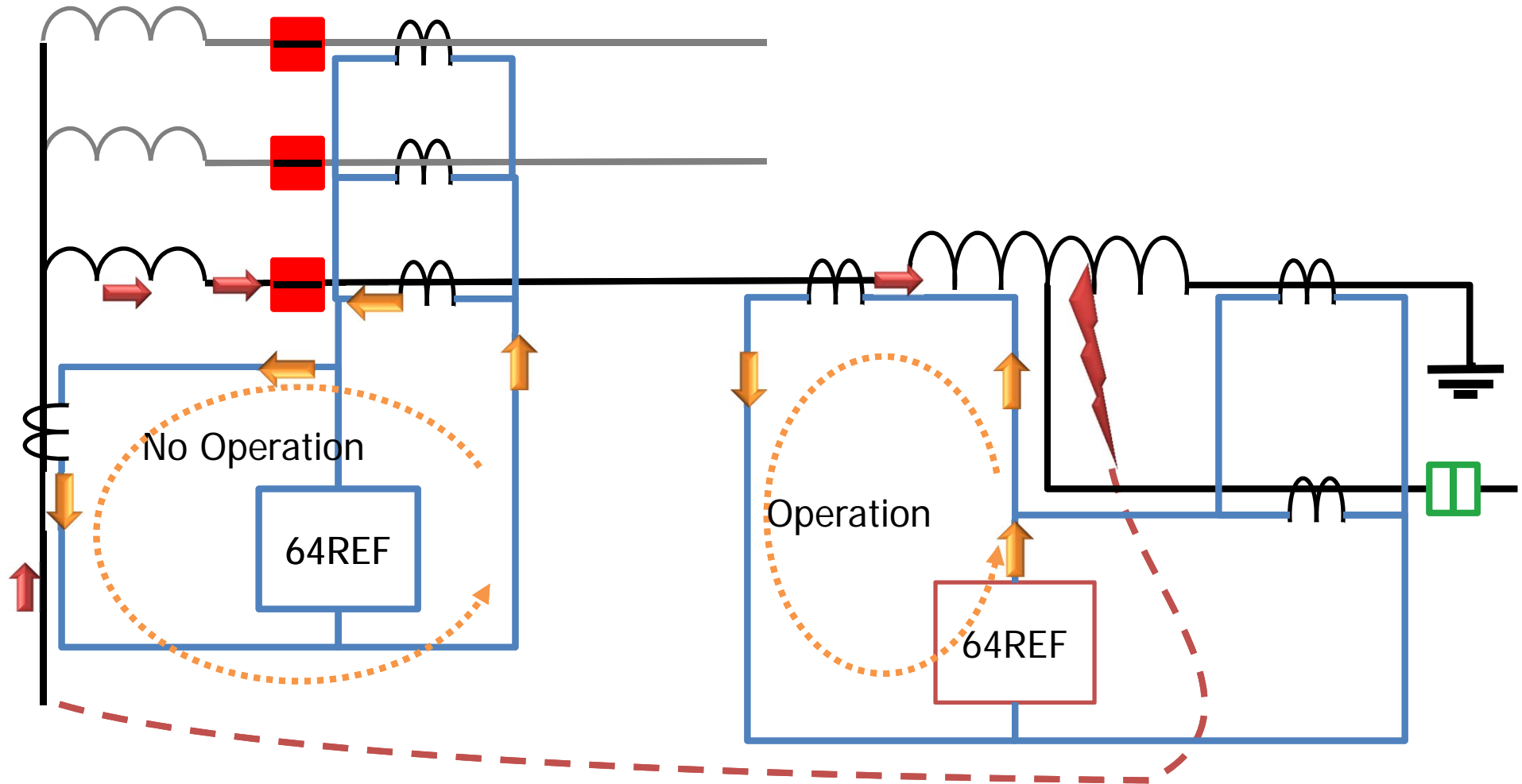


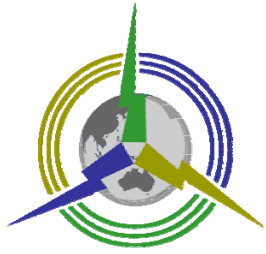
# Ph-Ph Fault CTs on each neutral



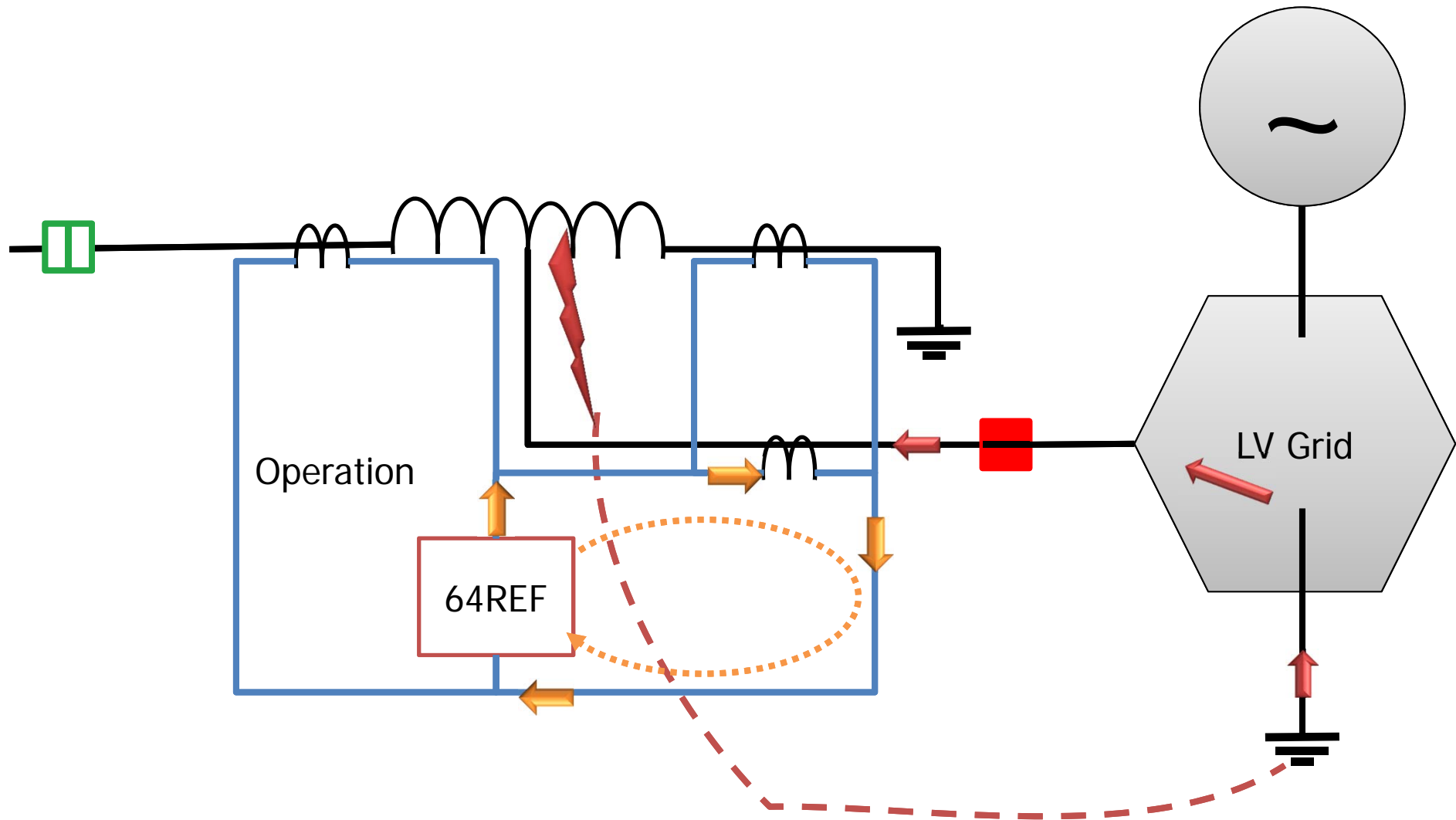


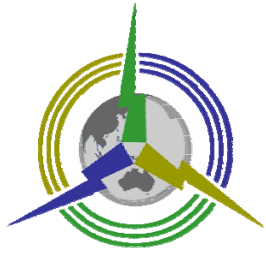
# Autotransformer Ph-E Fault



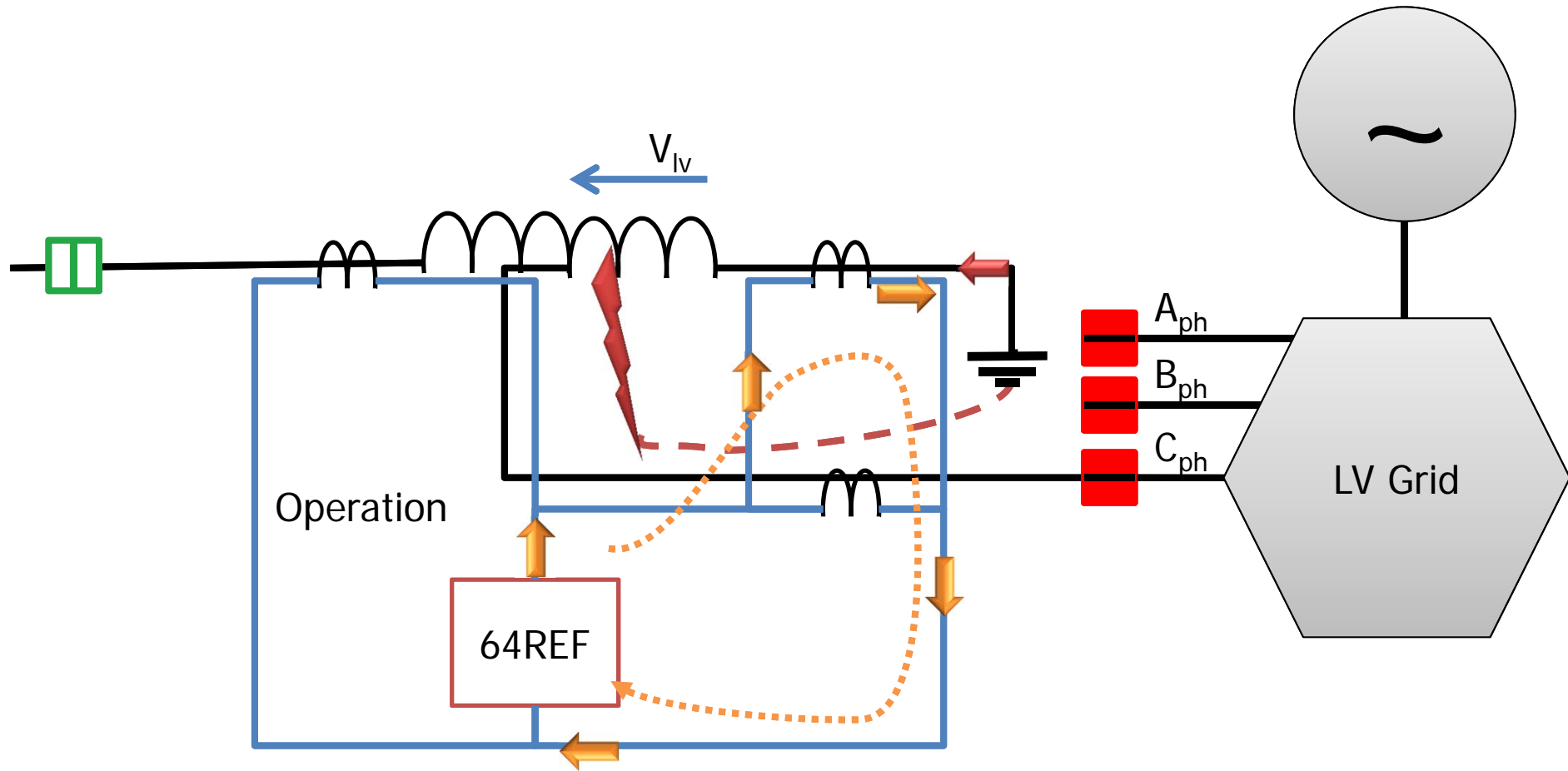


# Autotransformer Ph-E Fault

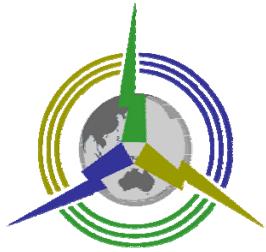




# Autotransformer Ph-E Fault No LV grid earth point







E-mail: [rgh@rodhughesconsulting.com](mailto:rgh@rodhughesconsulting.com)  
Direct: +61 8 7127 6357  
Mobile: +61 419 845 253  
Web: [www.rodhughesconsulting.com](http://www.rodhughesconsulting.com)  
Skype: rodhughes-consult  
Address: PO Box 757  
Blackwood  
SA 5051  
Australia

- IEC 61850 and associated standards
- Automation & Control
- Protection design 11kV to 500kV
- Training
- Cyber Security
- Smart Grid and Smart Metering
- Telecommunications
- Substation LAN

